

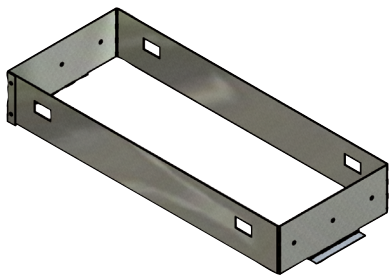
Chapter 3.4

Accessories

Chapter 3.4 Accessories

	WOOOK Click frame for wall diffuser	3
	WTO/WRO Plenum box Suitable for WTH/ WRH/WU	6
	Flat-sided plenum box Flat-sided oval Flat-sided round	8
	Guso connector Connecting ring for flexible duct	10
	Sonodec 25/250 Flexible duct Acoustic insulation 25 mm LUKA C/ATC 3	11
	Sonodec 25 (insulated) Flexible duct Acoustic insulation, 25 mm LUKA C/ATC 3	13
	Aludec 112 Flexible duct Aluminium laminate LUKA C/ATC 3	15
	Aludec 245 Flexible duct Acoustic insulation, 25 mm LUKA C/ATC 3	16
	Stretchdec Flexible duct Aluminium LUKA C/ATC 3	17
	Combidec Flexible duct Aluminium laminaat & copolymeer Grijs metallic LUKA C/ATC 3	18
	Isodec Flexible duct Thermal en acoustic insulation, 25 mm LUKA C/ATC 3	19

	Greydec 100 Flexible duct PolyVinylChloride Grey LUKA C/ATC 3	20
	Fitting equipment Tape Sealing tape Clamp band Stainless steel hose clip	21



WOOOK

Accessory for wall diffusers
Click frame for wall diffuser

Available types

W O O O K -

W accessory for wall diffuser

O not applicable

O not applicable

O not applicable

K click frame

- **for diffuser type**

O WTHA, WRHA

W WUAA, WUBA, WUCA

SA-Select

Check SA-Select to create extended order codes and selection details online. **NB!** At this moment, SA-Select is only available in Dutch. But it is possible to create extended order codes and selection details online.

Use

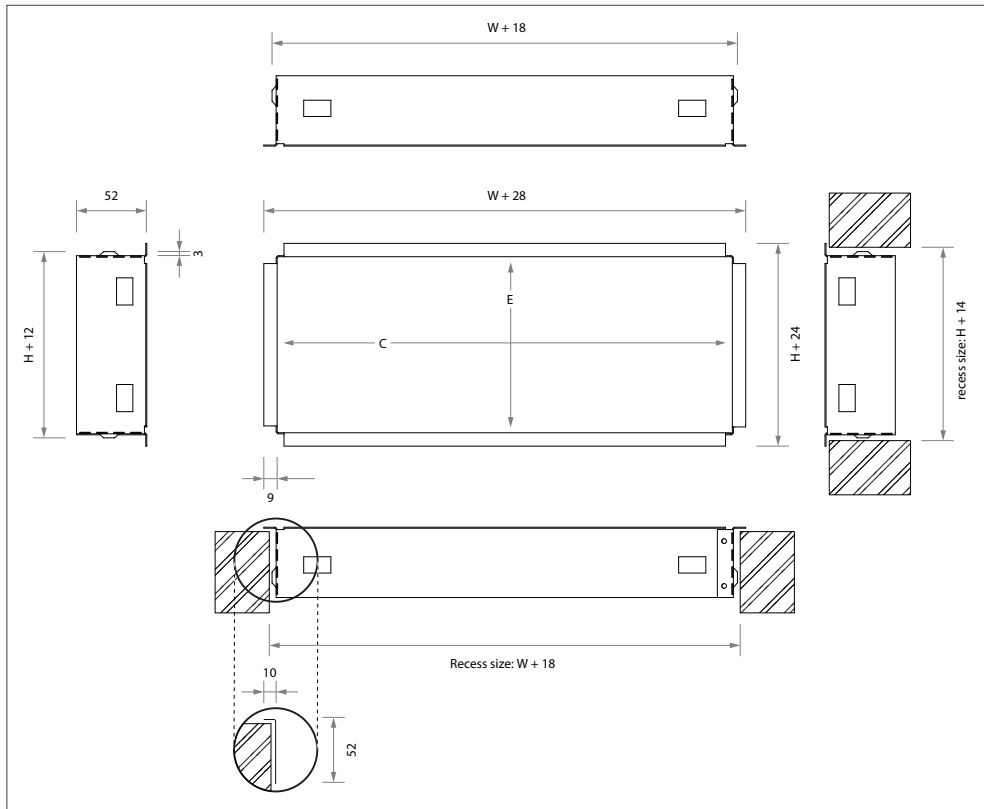
The WOOOK click frame is suitable for mounting wall diffusers in a removable set-up. The diffuser has spring clips that snap into the click frame. The click frame should only be used in a static situation.

Version

Material: sendzimir galvanised steel

Post-treatment: none

Dimensions WOOOKO (WTHA and WRHA)



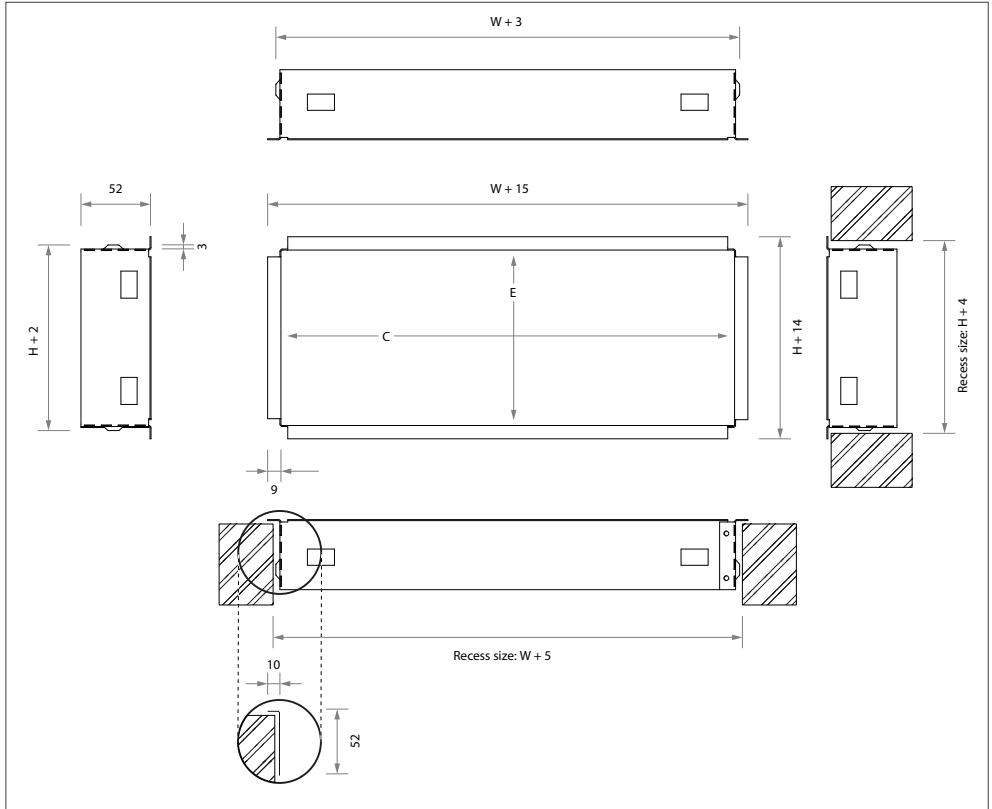
Available dimensions and sizes

W x H	WOOOKO	
	C	E
225 x 75	234	80
225 x 125	234	130
225 x 225	234	230
225 x 325	234	330
325 x 75	334	80
325 x 125	334	130
325 x 225	334	230
325 x 325	334	330
425 x 75	434	80
425 x 125	434	130
425 x 225	434	230
425 x 325	434	330
525 x 75	534	80
525 x 125	534	130
525 x 225	534	230
525 x 325	534	330
625 x 75	634	80
625 x 125	634	130
625 x 225	634	230
625 x 325	634	330

Note

- The listed dimensions are in mm.
- Recess size: WOOOKO = $W + 18$ mm $H + 14$ mm
- Interim sizes available in increments of 5 mm.

Dimensions WOOCKW (WUAA, WUBA and WUCA)

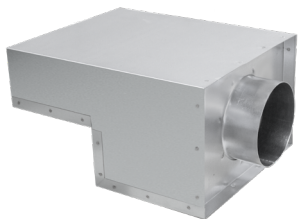


Available dimensions and sizes

W x H	WOOCKW	
	C	E
225 x 85	220	80
225 x 125	220	120
225 x 225	220	220
225 x 325	220	320
325 x 85	320	80
325 x 125	320	120
325 x 225	320	220
325 x 325	320	320
425 x 85	420	80
425 x 125	420	120
425 x 225	420	220
425 x 325	420	320
525 x 85	520	80
525 x 125	520	120
525 x 225	520	220
525 x 325	520	320
625 x 85	620	80
625 x 125	620	120
625 x 225	620	220
625 x 325	620	320

Note

- The listed dimensions are in mm.
- Recess size: WOOCKW = $W + 5$ mm $H + 4$ mm
- Interim sizes available in increments of 5 mm.



WTO/WRO

Accessory for wall diffusers Plenum box for WTH/WRH/WU

Available types

W - O O - -

W wall diffuser plenum box

- Supply/Return

T supply

R return

O not applicable

O not applicable

- Connection

A rear connection (standard)

L side connection left

R side connection right

- Version

U uninsulated

R internally insulated

SA-Select

Check [SA-Select](#) to create extended order codes and selection details online. **NB!** At this moment, SA-Select is only available in Dutch. But it is possible to create extended order codes and selection details online.

Use

The WTO and WRO plenum box is suitable for use together with the wall diffusers of the WTH and the WRH series, and also the WUAA, WUBA and WUCA. The plenum box is available as an insulated and uninsulated version, and beside the standard version with a rear connection, there is also a version with a side connection (left or right).

Version

Plenum box

Material: sendzimir galvanised steel

Internal insulation: 1/2" duct liner

Post-treatment: none

Available dimensions and sizes

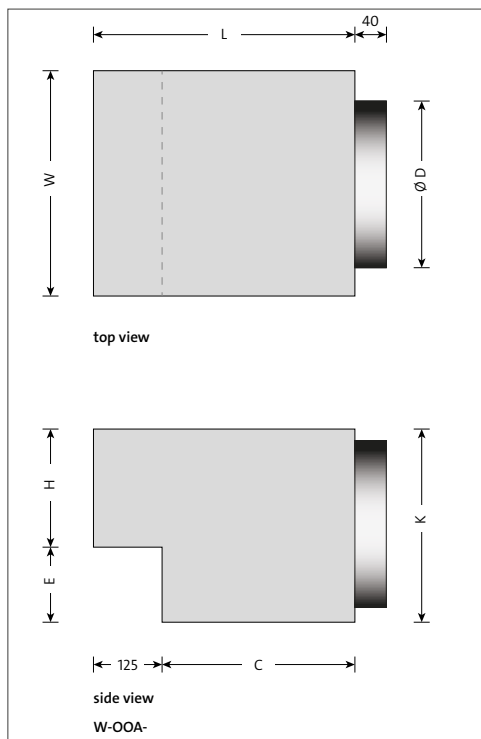
W x H	L	K	D	C	E
225 x 75	275	150	98	150	75
325 x 75	300	175	123	175	100
425 x 75	335	210	158	210	135
525 x 75	335	210	158	210	135
625 x 75	375	250	198	250	175
825 x 75	425	300	248	300	225
1025 x 75	425	300	248	300	225
1225 x 75	375	250	2 x 198*	250	175
225 x 85	275	150	98	150	65
325 x 85	300	175	123	175	90
425 x 85	335	210	158	210	125
525 x 85	335	210	158	210	115
625 x 85	375	250	198	250	165
825 x 85	425	300	248	300	215
1025 x 85	425	300	248	300	215
1225 x 85	375	250	2 x 198*	250	165
225 x 125	335	210	158	210	85
325 x 125	375	250	198	250	125
425 x 125	375	250	198	250	125
525 x 125	425	300	248	300	175

W x H	L	K	D	C	E
625 x 125	490	365	313	365	240
825 x 125	490	365	313	365	240
1025 x 125	425	300	2 x 248*	300	175
1225 x 125	425	300	2 x 248*	300	175
225 x 225	375	250	198	250	25
325 x 225	425	300	248	300	75
425 x 225	490	365	313	365	140
525 x 225	490	365	313	365	140
625 x 225	530	405	353	405	180
825 x 225	490	365	2 x 313*	365	140
1025 x 225	490	365	2 x 313*	365	140
1225 x 225	530	405	2 x 353*	405	140
325 x 325	530	405	313	405	80
425 x 325	530	405	353	405	80
525 x 325	575	450	398	450	125
625 x 325	575	450	398	450	125
825 x 325	530	405	2 x 353*	405	80
1025 x 325	575	450	2 x 398*	450	125
1225 x 325	530	405	3 x 353*	405	80

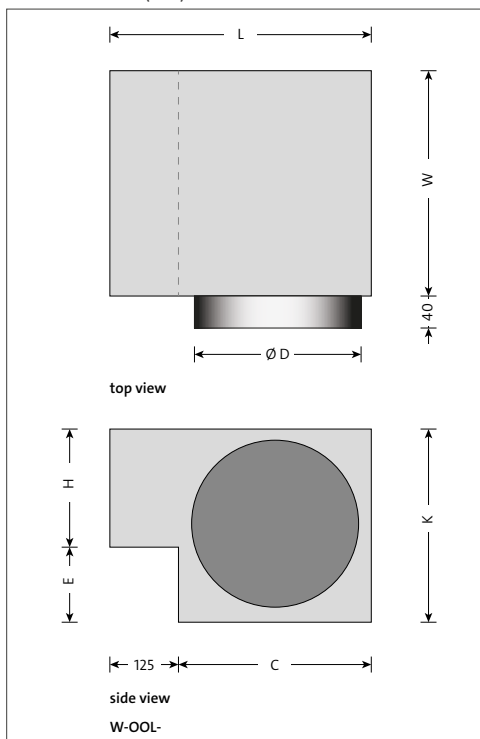
*Rear connection only.

Dimensions

Rear connection

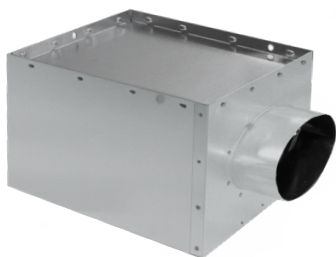


Side connection (left)



Note

- The listed dimensions are in mm.
- Recess size $W + 5$ mm x $H + 5$ mm.



Flat-sided plenum box

Flat-sided oval
Flat-sided round

3

Available types

P plenum flat-sided

- **Use**

- T** supply
- R** return

- **Air connection**

- R** round spigot
- O** oval spigot

- **Accessories**

- O** none

- **Version**

- U** uninsulated
- R** insulated

SA-Select

Check [SA-Select](#) to create extended order codes and selection details online. **NB!** At this moment, SA-Select is only available in Dutch. But it is possible to create extended order codes and selection details online.

Use

The flat-sided plenum box is suitable for use in combination with the following ceiling diffusers. The plenum is available as an insulated and an uninsulated version. As standard, the plenum box is equipped with 8 mm hanging holes in the raised edge of the plenum. A sound correction of + 3 dB should also be taken into account.

Version

Plenum box

Material: sendzimir galvanised steel

Internal insulation: 1/2" duct liner

Post-treatment: none

Plenum height (P size, see also diffuser documentation)

PTVD/PRVD, PTVM/PRVM and PTVS/PRVS

model	standard	flat-sided	flat-sided, oval
250	235	220	160
300	270	255	180
400	315	300	210
500	325	310	220
550	395	365	270

TTHA/TTPA

model	standard	flat-sided	flat-sided, oval
600	395	n.v.t.	265
750	460	n.v.t.	305
900	460	n.v.t.	305
1200	500	n.v.t.	315

RTBD/RRBD and RTBM/RRBM

model	standard	flat-sided	flat-sided, oval
250	215/220	195	158
350	260/265	230	185
450	310/315	270	208
550	360/365	320	245

HREC/HREA

model	standard	flat-sided	flat-sided, oval
250	235	220	160
300	270	255	180
400	315	300	210
500	325	310	220
550	395	365	270

RTBC/RRBC

model	standard	flat-sided	flat-sided, oval
250	220	n.v.t.	200
350	265	n.v.t.	230
450	315	n.v.t.	250
550	365	n.v.t.	285

Note

- The listed dimensions are in mm.
- For drawings, please see the individual diffuser documentation.

RTGD/RRGD and RTGT/RRGT

model	standard	flat-sided	flat-sided, oval
300/8	260	230	160
400-600/16	300	270	210
500/24	310	270	210
600/24	360	320	245
600/48	370	350	270

RTFO/RTFM

model	standard	flat-sided	flat-sided, oval
125	260	n.v.t.	210
160	285	n.v.t.	220
200	330	n.v.t.	250
250	390	n.v.t.	290
315	460	n.v.t.	335



Guso connector

Connecting ring for flexible duct

Use

Is used in duct and ventilation-duct system to connect flexible ducts to the duct system or the other air-technical fittings.

Version

Made of a heterophase ethylene copolymer PP 7064 L1. This product achieves a good balance between rigidity and strength and contains elements to prevent static electricity.

Prices are available on request.

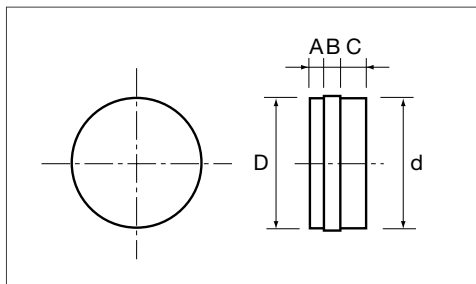
Characteristics

Melting point 147 °C.

Available dimensions and sizes

model	A	B	C	D	d	kg
100	10	15	25	100	100	0.13
125	10	15	25	125	125	0.15
150	10	15	25	150	150	0.18
160	10	15	25	160	160	0.19
200	10	15	25	200	200	0.21
250	10	15	25	250	250	0.23

Dimensions





Sonodec 25/250

Flexible duct
Acoustic insulation, 25 mm
LUCA C/ATC 3

Use

Air transport where vibrations have to be attenuated. Is used frequently in spiral ducts and diffusers.

Application area

- Air-heating systems.
- Air-conditioning systems.
- Heat-recovery systems.
- Mechanical ventilation systems.
- Overflow ventilation.

Attenuation from low frequencies.

The Sonodec 25 has been approved for use in shipping. We can send a copy of the certificate on request.

Characteristics

- irtightness class C in accordance with EN1751 (LUCA C)/ATC 3.

Version

Internal duct consisting of perforated aluminium, with a steel laminate inner spiral. Insulated with 25 mm glass wool with a reinforced aluminium outer jacket.

Packaged in a box.

Sonodec 25: temperature -30 °C to 140 °C
Sonodec 250: temperature -30 °C to 250 °C
Length: 10 m

Available dimensions and sizes

model	D internal	model	D internal
Sonodec 25 100	100	Sonodec 250 80	80
Sonodec 25 125	125	Sonodec 250 100	100
Sonodec 25 133	133	Sonodec 250 125	125
Sonodec 25 150	150	Sonodec 250 150	150
Sonodec 25 160	160	Sonodec 250 160	160
Sonodec 25 180	180	Sonodec 250 180	180
Sonodec 25 200	200	Sonodec 250 200	200
Sonodec 25 224	224	Sonodec 250 224	224
Sonodec 25 250	250	Sonodec 250 250	250
Sonodec 25 300	300	Sonodec 250 300	300
Sonodec 25 315	315	Sonodec 250 315	315
Sonodec 25 355	355	Sonodec 250 355	355
Sonodec 25 400	400	Sonodec 250 400	400
Sonodec 25 450	450	Sonodec 250 450	450
Sonodec 25 500	500	Sonodec 250 500	500
		Sonodec 250 630	630

Note

- This flexible duct can be fitted quickly and easily with the Guso connector.
- The listed dimensions are in mm.

Attenuation values

Sonodec 25

model	L	attenuation values						
		125	250	500	1k	2k	4k	Hz
80	1000	16	26	33	38	28	17	dB
	2000	21	37	48	53	46	29	dB
	3000	29	45	49	54	57	38	dB
100	1000	9	19	32	37	31	21	dB
	2000	19	33	52	53	49	36	dB
	3000	25	39	50	52	54	40	dB
125	1000	12	20	21	25	29	17	dB
	2000	17	31	44	45	46	26	dB
	3000	23	46	44	47	51	34	dB
160	1000	17	22	22	27	19	14	dB
	2000	31	39	34	38	31	20	dB
	3000	29	43	41	46	39	27	dB
200	1000	7	15	17	20	16	13	dB
	2000	20	34	32	35	30	22	dB
	3000	18	40	38	41	39	30	dB
250	1000	16	16	16	16	13	10	dB
	2000	26	31	28	33	25	18	dB
	3000	32	36	32	37	34	27	dB
315	1000	11	12	12	14	11	7	dB
	2000	28	25	22	27	22	15	dB
	3000	27	32	28	34	28	19	dB
450	1000	12	10	8	8	6	8	dB
	2000	20	17	15	16	13	12	dB
	3000	25	22	21	25	19	16	dB
500	1000	8	8	8	9	6	7	dB
	2000	20	17	16	17	11	11	dB
	3000	24	22	20	25	15	14	dB

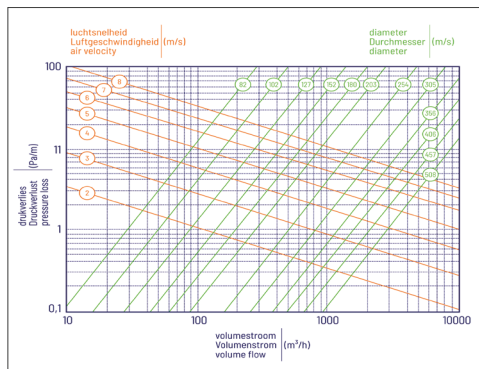
Sonodec 250

model	L	attenuation values						
		125	250	500	1k	2k	4k	Hz
80	1000	16	25	34	38	30	20	dB
	2000	22	37	48	54	46	30	dB
	3000	30	43	41	43	55	43	dB
100	1000	11	25	31	36	23	15	dB
	2000	17	31	51	50	38	26	dB
	3000	20	44	51	52	51	33	dB
125	1000	11	19	23	27	25	19	dB
	2000	17	31	43	43	35	22	dB
	3000	21	40	45	48	47	27	dB
160	1000	15	26	22	27	18	13	dB
	2000	22	38	35	39	29	20	dB
	3000	33	43	39	43	39	27	dB
200	1000	6	13	15	18	11	10	dB
	2000	15	31	32	38	21	18	dB
	3000	16	36	40	42	28	24	dB
250	1000	9	11	12	10	7	11	dB
	2000	21	24	24	22	13	15	dB
	3000	29	33	31	30	19	24	dB
315	1000	8	8	8	7	6	8	dB
	2000	16	15	14	13	9	13	dB
	3000	23	23	21	19	12	17	dB
450	1000	8	8	6	6	5	7	dB
	2000	18	15	14	12	8	10	dB
	3000	24	21	20	18	11	15	dB
500	1000	7	8	7	7	6	7	dB
	2000	e.g.	e.g.	e.g.	e.g.	e.g.	e.g.	dB
	3000	e.g.	e.g.	e.g.	e.g.	e.g.	e.g.	dB

Note

- The listed dimensions are in mm.

Pressure loss





SONODEC 25 (insulated)

Flexible duct
Acoustic insulation, 25 mm
Insulated
LUCA C/ATC 3

Use

Air transport where vibrations have to be attenuated.
Is used frequently in spiral ducts and diffusers.

Application area

- Air-heating systems.
- Air-conditioning systems.
- Heat-recovery systems.
- Mechanical ventilation systems.
- Overflow ventilation.

Characteristics

- Attenuation from low frequencies.
- Temperature: -25 °C to 90 °C.
- Airtightness class C in accordance with EN1751 (LUCA C)/ATC 3.

Version

Inner duct consisting of perforated aluminium, with a steel laminated spiral. Insulated with 25 mm glass wool with a reinforced aluminium outer jacket. Insulated to length.

Preferred length 1000 mm. Lengths of 500 mm and 750 mm are also available. Different lengths are available in larger quantities.

Available dimensions and sizes

model	D internal	L
Sonodec 25 100	100	1000
Sonodec 25 125	125	1000
Sonodec 25 150	150	1000
Sonodec 25 160	160	1000
Sonodec 25 180	180	1000
Sonodec 25 200	200	1000
Sonodec 25 250	250	1000
Sonodec 25 315	315	1000
Sonodec 25 355	355	1000
Sonodec 25 400	400	1000
Sonodec 25 100	100	500
Sonodec 25 125	125	500
Sonodec 25 150	150	500
Sonodec 25 160	160	500
Sonodec 25 180	180	500
Sonodec 25 200	200	500

Note

- This flexible duct can be fitted quickly and easily with the Guso connector.
- The listed dimensions are in mm.

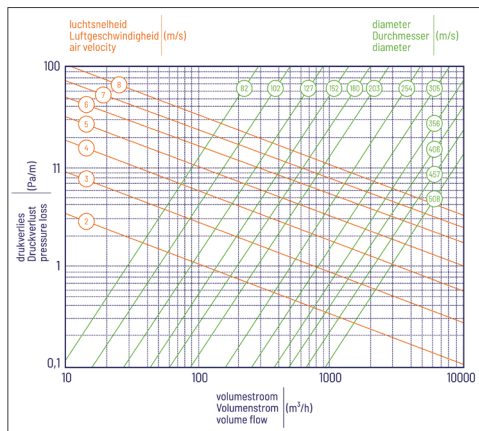
Attenuation values

model	L	attenuation values						
		125	250	500	1000	2000	4000	Hz
100	1000	9	19	32	37	31	21	dB
	500	e.g.	e.g.	e.g.	e.g.	e.g.	e.g.	dB
125	1000	12	20	21	25	29	17	dB
	500	e.g.	e.g.	e.g.	e.g.	e.g.	e.g.	dB
150	1000	e.g.	e.g.	e.g.	e.g.	e.g.	e.g.	dB
	500	e.g.	e.g.	e.g.	e.g.	e.g.	e.g.	dB
160	1000	17	22	22	27	19	14	dB
	500	e.g.	e.g.	e.g.	e.g.	e.g.	e.g.	dB
180	1000	e.g.	e.g.	e.g.	e.g.	e.g.	e.g.	dB
	500	e.g.	e.g.	e.g.	e.g.	e.g.	e.g.	dB
200	1000	7	15	17	20	16	13	dB
	500	e.g.	e.g.	e.g.	e.g.	e.g.	e.g.	dB
250	1000	16	16	16	16	13	10	dB
315	1000	11	12	12	14	11	7	dB
355	1000	e.g.	e.g.	e.g.	e.g.	e.g.	e.g.	dB
400	1000	e.g.	e.g.	e.g.	e.g.	e.g.	e.g.	dB

Note

- The listed dimensions are in mm.

Pressure loss





ALUDEC 112

Flexible duct
Aluminium laminate
LUCA C/ATC 3

Use

To transport air when a rigid connection between two points is not possible. For example, in suspended ceilings between the duct and the diffuser plenum or the mounting bush of the extraction valve.

Application area

- Mechanical and natural ventilation systems.
- Heat-recovery systems.
- Balanced ventilation systems.
- Air-heating systems.
- Air-conditioning systems.

Characteristics

- Temperature range -25 °C to 90 °C.
- Bending radius $R = D$.
- Airtightness class C in accordance with EN1751 (LUCA C)/ATC 3.

Version

Aluminium laminate duct, laminate thickness 87 μm .
With a steel laminate spiral. The laminate is glued with a heat-resistant adhesive.

Packaged in a box.

Length 10 m.

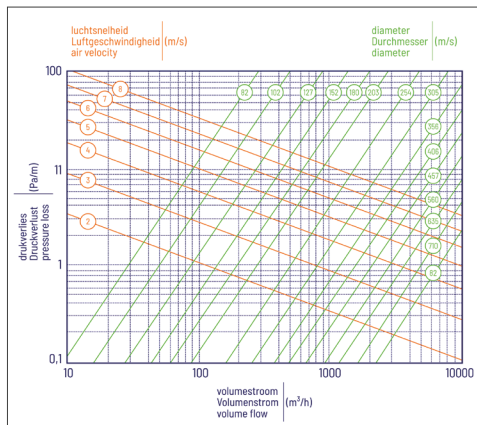
Available dimensions and sizes

model	D internal
Aludec 112 80	80
Aludec 112 100	100
Aludec 112 125	125
Aludec 112 133	133
Aludec 112 150	150
Aludec 112 160	160
Aludec 112 180	180
Aludec 112 200	200
Aludec 112 224	224
Aludec 112 250	250
Aludec 112 300	300
Aludec 112 315	315
Aludec 112 355	355
Aludec 112 400	400
Aludec 112 450	450
Aludec 112 500	500
Aludec 112 560	560
Aludec 112 630	630

Note

- The listed dimensions are in mm.

Pressure loss





ALUDEC 245

Flexibele slang
Aluminium laminaat
LUKA C/ATC 3

Use

To transport air when a rigid connection between two points is not possible. For example, in suspended ceilings between the duct and the diffuser plenum or the mounting bush of the extraction valve.

Application area

- Mechanical and natural ventilation systems.
- Heat-recovery systems.
- Balanced ventilation systems.
- Air-heating systems.
- Air-conditioning systems.

Characteristics

- Temperature range -25 °C to 90 °C.
- Bending radius $R = D$.
- Airtightness class C in accordance with EN1751 (LUKA C)/ATC 3.

Version

Aluminium laminate duct, laminate thickness 45 μ m. With a double steel laminate spiral. The laminate is glued with a heat-resistant adhesive.

Packaged in a box.

Length 10 m.

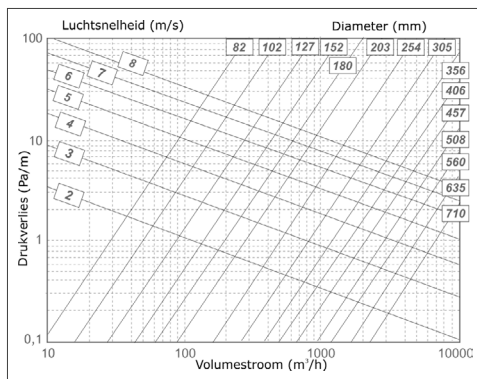
Available dimensions and sizes

model	D internal
Aludec 245 100	100
Aludec 245 125	125
Aludec 245 133	133
Aludec 245 150	150
Aludec 245 160	160
Aludec 245 180	180
Aludec 245 200	200
Aludec 245 224	224
Aludec 245 250	250
Aludec 245 280	280
Aludec 245 300	300
Aludec 245 315	315
Aludec 245 355	355
Aludec 245 400	400
Aludec 245 450	450
Aludec 245 500	500

Note

- The listed dimensions are in mm.

Pressure loss





STRETCHDEC

Flexible duct
Aluminium
LUCA C/ATC 3

Use

To transport air in situations where the conditions impose heavy-duty requirements, such as mechanical influences or use in high temperatures, and visible applications, such as extractor hood connections.

Application area

- Mechanical and natural ventilation systems.
- Heat-recovery systems.
- Balanced ventilation systems.
- Air-heating systems.
- Air-conditioning systems.

Characteristics

- Temperature range -30 °C to 250 °C.
- Bending radius $R = 2D$.
- Not suitable for air with higher concentrations of acids and alkalis.
- Airtightness class C in accordance with EN1751 (LUCA C)/ATC 3.

Version

A flexible round duct, consisting of one layer of corrugated aluminium. The special seamed joint produces an extremely high airtightness and flexibility.

Packaged in a box.

Length 3 m.

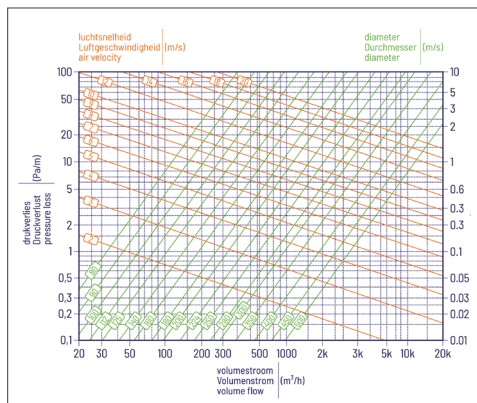
Available dimensions and sizes

model	D internal
Stretchdec 80	80
Stretchdec 100	100
Stretchdec 125	125
Stretchdec 133	133
Stretchdec 150	150
Stretchdec 160	160
Stretchdec 180	180
Stretchdec 200	200
Stretchdec 250	250
Stretchdec 315	315

Note

- The listed dimensions are in mm.

Pressure loss





COMBIDEC

Flexible duct
Aluminium laminate & copolymer
Grey metallic
LUCA C/ATC 3

Use

For air transport in rooms with higher temperatures or air with a higher heat range (up to 140 °C). Also suitable when the duct is subject to heavy mechanical influences.

Application area

- Mechanical and natural ventilation systems.
- Heat-recovery systems.
- Balanced ventilation systems.
- Air-heating systems.
- Steam and condensate extraction.

Characteristics

- Temperature range -30 °C to 140 °C.
- Extremely resistant to wear and tear.
- Max. pressure 3000 Pa - max. velocity 30 m/s.
- Airtightness class C in accordance with EN1751 (LUCA C)/ATC 3.

Version

Extremely strong aluminium laminate duct, with copolymer on the outside. Has a steel laminate spiral.

Packaged in a box.

Length 10 m.

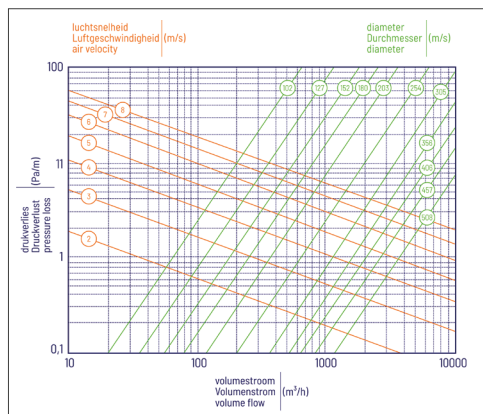
Available dimensions and sizes

model	D int.	model	D int.
Combidec 100 grijs metallic	100	Combidec 100 zwart	100
Combidec 125 grijs metallic	125	Combidec 125 zwart	125
Combidec 133 grijs metallic	133	Combidec 150 zwart	150
Combidec 150 grijs metallic	150	Combidec 160 zwart	160
Combidec 160 grijs metallic	160	Combidec 180 zwart	180
Combidec 180 grijs metallic	180	Combidec 200 zwart	200
Combidec 200 grijs metallic	200	Combidec 250 zwart	250
Combidec 224 grijs metallic	224	Combidec 300 zwart	300
Combidec 250 grijs metallic	250	Combidec 315 zwart	315
Combidec 300 grijs metallic	300	Combidec 355 zwart	355
Combidec 315 grijs metallic	315	Combidec 400 zwart	400
Combidec 355 grijs metallic	355	Combidec 450 zwart	450
Combidec 400 grijs metallic	400	Combidec 500 zwart	500
Combidec 450 grijs metallic	450		
Combidec 500 grijs metallic	500		

Note

- The listed dimensions are in mm.

Pressure loss





ISODEC

Flexible duct
Thermal and acoustic insulation, 25 mm
LUCA C/ATC 3

Use

To transport warm or cooled air, when a rigid connection between points is not possible. For example, in suspended ceilings between the duct and the diffuser plenum or the mounting bush of the extraction valve.

Application area

- Mechanical and natural ventilation systems.
- Heat-recovery systems.
- Balanced ventilation systems.
- Air-heating systems.
- Air-conditioning systems.

Characteristics

- Temperature range -30 °C to 140 °C.
- Bending radius R = D.
- R value of glass wool 0.69 m²K/W.
- Airtightness class C in accordance with EN1751 (LUCA C)/ATC 3.

Version

Internal duct of aluminium laminate 45 µm with a steel laminate spiral. The laminate is glued with a heat-resistant adhesive. The duct is wrapped in glass wool with a thickness of 25 mm and has a fibreglass reinforced aluminium laminate outer jacket.

Packaged in a box.

Length 10 m.

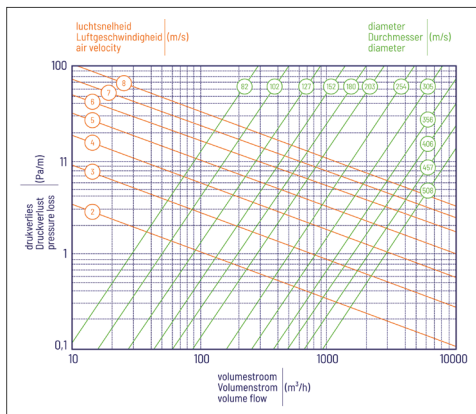
Available dimensions and sizes

model	D internal
Isodec 25 100	100
Isodec 25 125	125
Isodec 25 133	133
Isodec 25 150	150
Isodec 25 160	160
Isodec 25 180	180
Isodec 25 200	200
Isodec 25 224	224
Isodec 25 250	250
Isodec 25 300	300
Isodec 25 315	315
Isodec 25 355	355
Isodec 25 400	400
Isodec 25 450	450
Isodec 25 500	500

Note

- The listed dimensions are in mm.

Pressure loss





GREYDEC 100

Flexible duct
PolyVinyl Chloride
Grey
LUCA C/ATC 3

Use

To transport air when a rigid connection between two points is not possible. For example, in suspended ceilings between the duct and the diffuser plenum or the mounting bush of the extraction valve.

Application area

- Mechanical and natural ventilation systems.
- Heat-recovery systems.
- Balanced ventilation systems.
- Air-heating systems.
- Steam and condensate extraction.

Characteristics

- Temperature range -5 °C to 70 °C.
- Flame-extinguishing.
- Can absorb vibration long term.
- Airtightness class C in accordance with EN1751 (LUCA C)/ATC 3.

Version

The duct is made of a polyamide fabric coated with a PVC coating. Has a steel laminate spiral.

Packaged in a box.

Length 10 m.

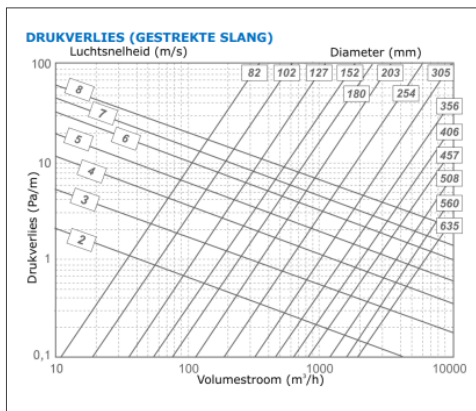
Available dimensions and sizes

model	D internal
Greydec 100 80	80
Greydec 100 100	100
Greydec 100 125	125
Greydec 100 133	133
Greydec 100 150	150
Greydec 100 160	160
Greydec 100 180	180
Greydec 100 200	200
Greydec 100 224	224
Greydec 100 250	250
Greydec 100 300	300
Greydec 100 315	315
Greydec 100 355	355
Greydec 100 400	400
Greydec 100 450	450
Greydec 100 500	500
Greydec 100 630	630

Note

- The listed dimensions are in mm.

Pressure loss



Fitting equipment



Tape



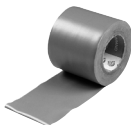
Aluminium tape, 50 mm wide, roll à 50 m

Aluminium tape, 75 mm wide, roll à 50 m



Hardcast tape P301, 50 mm wide, roll à 15 m

Hardcast tape PEZ3009, 50 mm wide, roll à 20 m



PVC tape, 50 mm wide, roll à 10 m

Sealing tape



PE band (poretight) 18 x 4 mm, rol à 25 m



Felt tape, self-adhesive 25 x 8 mm, rol à 7.5 m

Clamp band



Nylon clamp band 0 - 140 mm

Nylon clamp band 0 - 210 mm



Tensioner for nylon clamp band

Stainless steel hose clip

60 - 135 mm

60 - 165 mm

60 - 215 mm

60 - 315 mm

60 - 525 mm

60 - 660 mm

