



## PRVM/PRTM

### Perforated diffuser Return T-bar mounted in modular ceiling

#### Available types

#### P R - M - O -

**P** perforated ceiling diffuser

**R** return

#### - Face plate

**V** flat

**T** t-bar mounted T24, 8 mm dropped (fully perforated, only in combination with T-profile)

**M** modular ceiling, panel size 600 mm

#### - Ceiling version

**I** T-bar mounted

**A** concealed panel (concealed ceiling version)

**B** concealed panel (concealed ceiling version)

**C** concealed panel (concealed ceiling version)

**O** no accessories

#### - Version

**A** round top connection

**N** without plenum, with separate sightproof cover\*

**O** panel only

**R** assembled, internally insulated plenum box

**U** assembled, uninsulated plenum box

**Z** square top connection

\*Sightproof cover; see also PRIMON [on our website](#).

#### SA-Select

Check SA-Select to create extended order codes and selection details online. **NB!** At this moment, SA-Select is only available in Dutch. But it is possible to create extended order codes and selection details online.

#### Use

The PRVM perforated diffuser is suitable for air extraction and has the same appearance as the supply diffuser PTVM. The diffuser can be T-bar mounted in a modular ceiling with a panel size of 600 mm and can be fitted with an insulated or uninsulated plenum box, which is supplied ready assembled. The perforated diffuser, type PRTM, is equipped with an 8 mm lowered face plate. As standard, the plenum box is equipped with 8 mm hanging holes in the raised edge of the plenum.

#### Version

##### Perforated diffuser

Front face: steel

Post-treatment: epoxy

Colour: white RAL 9010, optional RAL colour of your choice

##### Plenum box

Material: sendzimir galvanised steel

Internal insulation: 1/2" duct liner

Post-treatment: none

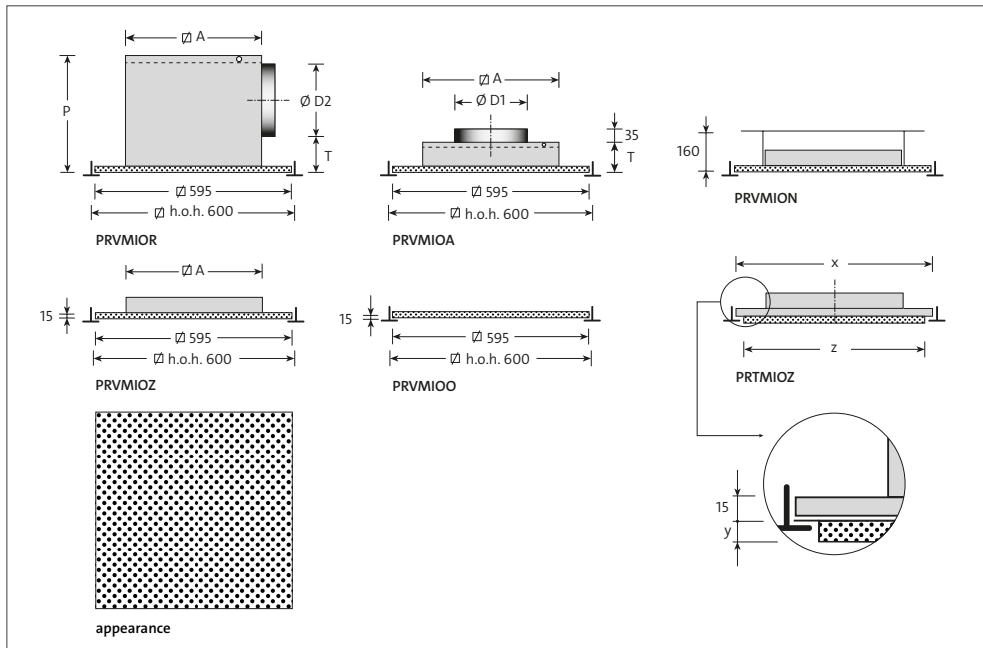
##### Optional

Panel size: up to 750 mm

Plenum box: flat-sided

Face plate: other than inlay T24, lowered by 8 mm on request

## Dimensions



### Available dimensions and sizes

model	A	D1	D2	T	P
250	242	123	123	70	235
300	307	158	158	70	270
400	382	198	198	75	315
500	477	248	198	85	325
550	551	313	248	105	395

### Weight

model	type	
	without plenum OA	with plenum OR/OU
	kg	kg
250	3.2	4.4
300	3.1	4.8
400	2.9	5.5
500	2.6	6.1
550	2.5	7.2

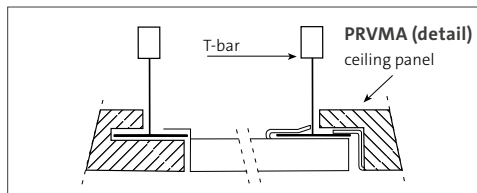
- PRVMIOO perforated panel only: 1.2 kg.

### Note

- The listed dimensions are in mm.
- Dimensions t-bar mounted dropped:  
T-bar mounted 24 mm (standard): X = 595, Y = 8, Z = 574  
T-bar mounted 15 mm: X = 595, Y = 8, Z = 583
- Information regarding flat-sided plenum boxes is available on our [website](#).

### Concealed ceiling version

manufacturer	product/type	version
Ecophon	FocusTM Ds	B
	Hygiène LabotecTM Ds C1	B
	SombraTM Ds	B
	Combison UnoTM Ds	B
OWA	Cosmos	A
	Sinfonia	A
Rockfon	Sonar system D	A
	Krios System D	A
	Sonar system X	C
	Krios system X	C



## Selection details

PRVM-OR, PRVM-OA and PRVM-OU

air volume		round connection		
m <sup>3</sup> /s	m <sup>3</sup> /h	model	$\Delta p_s$ Pa	$L_{PA}$ dB(A)
0.015	<b>54</b>	250	1	-
0.020	<b>72</b>	250	3	-
0.025	<b>90</b>	250	4	-
		300	1	-
0.030	<b>108</b>	250	6	-
		300	2	-
0.040	<b>144</b>	250	11	-
		300	4	-
		400	1	-
0.050	<b>180</b>	250	16	12
		300	6	-
		400	2	-
0.060	<b>216</b>	250	24	17
		300	9	-
		400	3	-
		500	3	-
0.080	<b>288</b>	300	15	13
		400	6	-
		500	5	-
		550	3	-
0.100	<b>360</b>	300	24	19
		400	9	-
		500	8	-
		550	4	-
0.125	<b>450</b>	400	14	15
		500	12	15
		550	6	-
		400	21	20
0.150	<b>540</b>	500	18	20
		550	9	10
		500	31	27
0.200	<b>720</b>	550	16	17
		550	25	23
0.250	<b>900</b>	550	35	28
0.300	<b>1080</b>	550	35	28

PRVM-OZ and PRVM-ON

air volume		square connection		
m <sup>3</sup> /s	m <sup>3</sup> /h	model	$\Delta p_s$ Pa	$L_{PA}$ dB(A)
0.080	<b>288</b>	250	9	10
		300	3	-
0.100	<b>360</b>	250	13	15
		300	5	-
		400	2	-
0.125	<b>450</b>	250	21	21
		300	8	11
		400	3	-
0.150	<b>540</b>	250	30	25
		300	11	15
		400	4	-
		500	2	-
0.200	<b>720</b>	250	54	32
		300	20	22
		400	8	13
		500	3	-
		550	2	-
0.300	<b>1080</b>	300	45	32
		400	18	23
		500	7	14
		550	3	-
0.400	<b>1440</b>	300	79	39
		400	32	30
		500	13	21
		550	6	14
0.500	<b>1800</b>	400	49	35
		500	20	26
		550	10	19
0.600	<b>2160</b>	400	71	39
		500	29	31
		550	14	23
0.800	<b>2880</b>	500	51	37
		550	24	30
1.000	<b>3600</b>	550	38	36

PR-MIOO only panel  595

air volume		PRVM-OZ en PRVM-ON	$\Delta p_s$ Pa	$L_{PA}$ dB(A)
m <sup>3</sup> /s	m <sup>3</sup> /h			
0.200	<b>720</b>	550	2	-
0.300	<b>1080</b>	550	3	-
0.400	<b>1440</b>	550	6	14
0.500	<b>1800</b>	550	10	19
0.600	<b>2160</b>	550	14	23
0.800	<b>2880</b>	550	24	30
1.000	<b>3600</b>	550	38	36

Attenuation values plenum box (without end reflection)

model	attenuation values						
	125	250	500	1k	2k	4k	Hz
<b>250</b>	5	0	3	10	5	11	dB
<b>300</b>	3	1	6	7	7	9	dB
<b>400</b>	2	2	9	7	7	9	dB
<b>500</b>	2	4	9	7	7	10	dB
<b>550</b>	0	6	7	7	6	9	dB

### General

- The assumed room attenuation is 10 dB.
- It is permitted to interpolate the interim values.