

SROD

Line diffuser
Return
Surface-mounted

Available types

Diffuser + plenum box

S R O D - - -

- S** line diffuser
- R** return
- O** no pattern blades
- D** surface-mounted
- **End caps**
 - A** no end caps
 - B** one end cap
 - C** two end caps
 - D** two flat end caps, (T-bar mounting)
- **Plenum box**
 - O** none
 - R** assembled, internally insulated plenum box
 - U** assembled, uninsulated plenum box
- **Mounting brackets (supplied separately)**
 - A** diffuser bracket A
 - B** plenum mounting brackets B
 - C** plenum "click-in" bracket C (mount plenum first)
 - D** diffuser/ceiling bracket D
 - O** none

Plenum box

S O O O - -

- S** line diffuser
- O** plenum box only
- O** not applicable
- O** not applicable
- **Fitted plenum box**
 - R** internally insulated plenum box
 - U** uninsulated plenum box
- **Mounting bracket preparation**
 - O** none; straight plenum box
 - C** prepared for mounting bracket C; "click-in" plenum box

SA-Select

Check SA-Select to create extended order codes and selection details online. **NB!** At this moment, SA-Select is only available in Dutch. But it is possible to create extended order codes and selection details online.

Use

The SROD line diffuser is suitable for air extraction and has the same appearance as the supply diffuser STAD. The diffuser can be fitted in the ceiling or the wall, and is fitted standard with an insulated or uninsulated plenum box. As standard, the plenum box is equipped with 8 mm hanging holes in the edge of the plenum. Pattern blades are not supplied. The diffusers can be connected together to form long lengths by using supplied keys. The spacers are on the underside of the profile, guaranteeing a straight line.

Version

Line diffuser

Frame:	extruded aluminium
Post-treatment:	epoxy
Colour:	white RAL 9010, optional RAL colour of your choice
Pattern blades:	extruded aluminium
Post-treatment:	black

Plenum box

Material:	sendzimir galvanised steel
Internal insulation:	1/2" duct liner
Post-treatment:	none

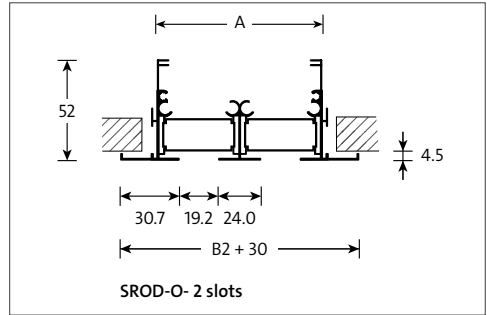
Optional

Plenum box:	several connections, oval connection and different heights
Diffuser:	blanking plate

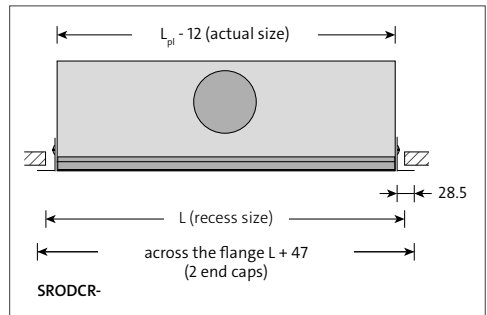
Note

- The listed dimensions are in mm.
- If actual or over frame dimensions are required, please state this clearly because otherwise nominal dimensions will be used.
- One-piece diffuser elements up to approx. 2500 mm.
- For large lengths, Solid Air determines the section lengths if they have not been stated specifically. The standard sections are nominal 1800 mm, with an adapter at the start and end of the diffuser to achieve the total required length.
- Standard plenum box lengths L_{pl} are: 600, 750, 900, 1200, 1500 and 1800 mm.
- Flat-sided plenum boxes are available on request.
- For diffuser brackets C and D, the maximum thickness of the ceiling panel is 35 mm.

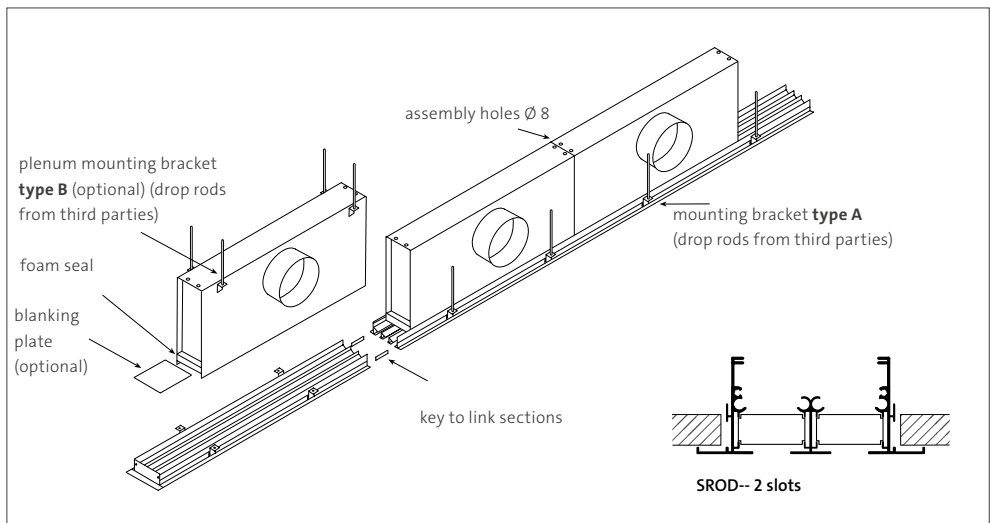
Cross-section and lengthways view



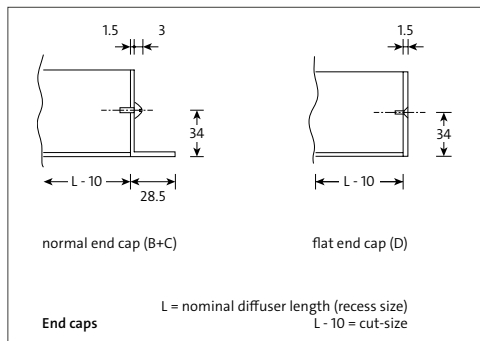
For the explanation of the dimensions, see the table "Available dimensions, sizes and weights".



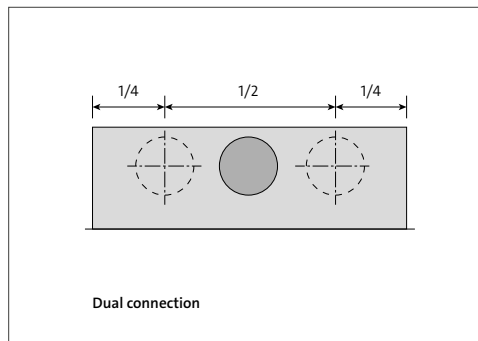
Fitting a continuous line diffuser with key and plenum box



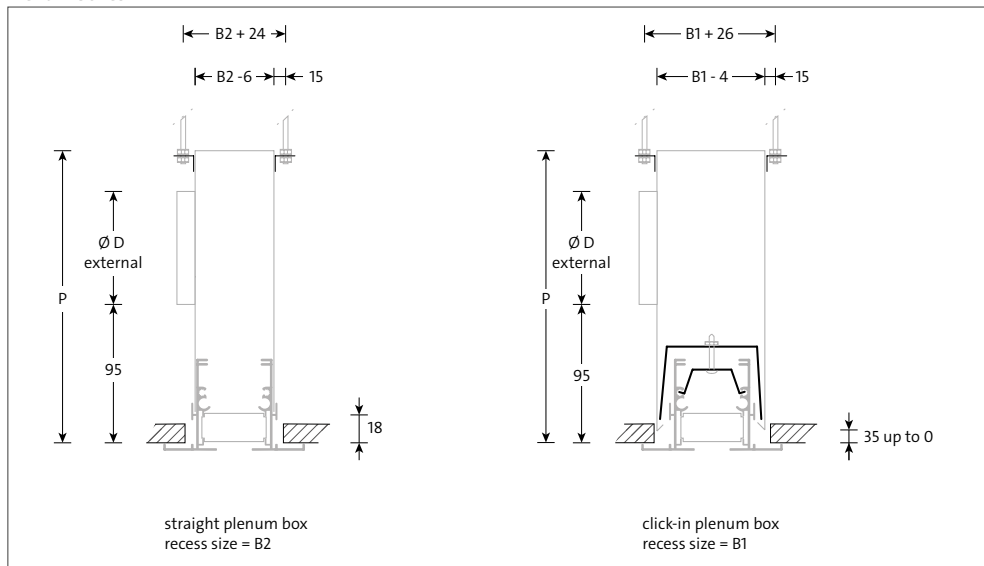
End caps



Connections

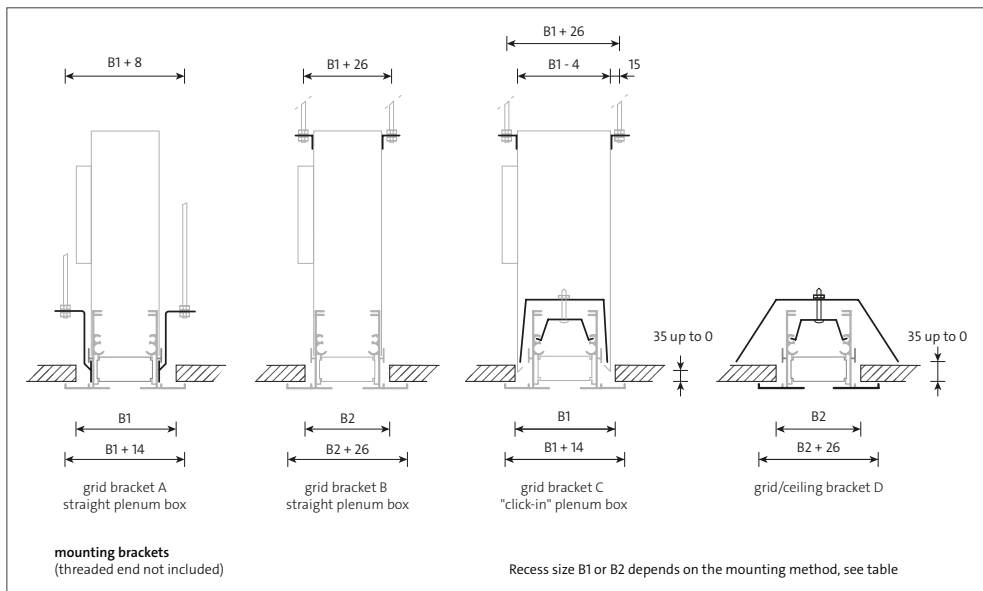


Plenum boxes



Note

- The listed dimensions are in mm.



Available dimensions, sizes and weights

number of slots	B1	B2	P	D	A	diffuser	plenum
						kg	kg
L = 600							
1	65	52	245	123	46	0.8	2.1
2	108	94	280	158	88	1.2	2.6
3	151	137	280	158	131	1.6	2.7
4	194	180	320	198	174	2.0	3.2
L = 750							
1	65	52	245	123	46	1.0	2.7
2	108	94	280	158	88	1.5	3.2
3	151	137	280	158	131	2.0	3.4
4	194	180	320	198	174	2.5	4.0
L = 900							
1	65	52	245	123	46	1.2	3.2
2	108	94	280	158	88	1.8	3.9
3	151	137	320	198	131	2.4	4.6
4	194	180	320	198	174	3.0	4.8

number of slots	B1	B2	P	D	A	diffuser	plenum
						kg	kg
L = 1200							
1	65	52	280	158	46	1.6	4.8
2	108	94	320	198	88	2.4	5.8
3	151	137	320	198	131	3.2	6.1
4	194	180	370	248	174	4.0	7.2
L = 1500							
1	65	52	280	158	46	2.0	6.0
2	108	94	320	198	88	3.0	7.2
3	151	137	370	248	131	4.0	8.6
4	194	180	370	248	174	5.0	9.0
L = 1800							
1	65	52	320	198	46	2.4	8.1
2	108	94	370	248	88	3.6	9.8
3	151	137	435	313	131	4.8	11.8
4	194	180	435	313	174	6.0	12.3

Note

- The listed dimensions are in mm.

Selection details

SROD

air volume		number of slots	Plenum box length											
			600		750		900		1200		1500		1800	
m ³ /s	m ³ /h		Δp_s Pa	L_{pA} dB(A)	Δp_s Pa	L_{pA} dB(A)	Δp_s Pa	L_{pA} dB(A)	Δp_s Pa	L_{pA} dB(A)	Δp_s Pa	L_{pA} dB(A)	Δp_s Pa	L_{pA} dB(A)
0.010	36	1	1	-										
0.0125	45	1	2	-	1	-								
0.015	54	1	3	-	2	-	1	-						
0.020	72	1	5	-	3	-	2	-	1	-				
		2	1	-										
0.025	90	1	8	10	5	-	4	-	2	-	1	-		
		2	2	-	1	-								
0.030	108	1	12	15	8	10	5	-	3	-	2	-	1	-
		2	3	-	2	-	1	-						
0.040	144	1	21	22	14	18	9	14	5	-	3	-	2	-
		2	5	-	3	-	2	-	1	-				
		3	2	-	2	-	1	-						
0.050	180	1	33	28	21	23	15	19	8	13	5	-	4	-
		2	8	13	5	-	4	-	2	-	1	-		
		3	4	-	2	-	2	-						
0.060	216	1	48	33	31	28	21	24	12	18	8	13	5	-
		2	12	18	8	13	5	-	3	-	2	-	1	-
		3	5	-	3	-	2	-	1	-				
		4	3	-	2	-	1	-						
0.080	288	1			55	36	38	32	21	25	14	21	9	17
		2	21	25	14	21	9	17	5	10	3	-	2	-
		3	9	17	6	12	4	-	2	-	2	-	1	-
		4	5	10	3	-	2	-	1	-				
0.100	360	2	33	31	21	26	15	22	8	16	5	11	4	-
		3	15	22	9	18	7	14	4	-	2	-	2	-
		4	8	16	5	11	4	-	2	-	1	-		
0.125	450	2	52	37	33	32	23	28	13	22	8	17	6	13
		3	23	28	15	23	10	19	6	13	4	-	3	-
		4	13	22	8	17	6	13	3	-	2	-	1	-
0.150	540	2			48	37	33	33	19	27	12	22	8	18
		3	33	33	21	28	15	24	8	18	5	13	4	-
		4	19	27	12	22	8	18	5	12	3	-	2	-
0.200	720	3			38	36	26	32	15	25	9	21	7	17
		4	33	34	21	29	15	25	8	19	5	14	4	10
0.250	900	4			33	35	23	31	13	25	8	20	9	16
0.300	1080	4			48	40	33	36	19	30	12	25	8	21

General

- The assumed room attenuation is 10 dB.
- It is permitted to interpolate the interim values.